

**SnapLab SL620A™**

**THE BEST ALL-IN-ONE PRINTING SYSTEM FOR YOUR PHOTO BUSINESS!**



Printer sold separately.

# SL620A™

*The right combination of our Tmini Order Terminal with our flagship 6" DS620A Printer all-in-one kit.*



All-in-One



Compact



Easy-to-Use



Multiple Formats



Value-added Products

The SL620A is a compact kiosk system, combining a printer, an order terminal, and software. Our dye-sublimation compact kiosk system is the easy winning formula to turbo charge your photo business now!

**Media Card Reader:**  
Compact Flash, SD, Micro SD,  
Memory Stick, MS Micro, xD and USB port.

Smartphone holder

Smartphone cables for wired connection  
Apple® and Android®.



**Touchscreen Operation**  
Durable 10.1" High-Resolution.

- **Ability to connect 2 printers\***  
(\*Ability to connect two of the same printers or a combination of DS Series printers.)
- **Router for wireless connection**  
(iOS and Android).
- **Powerful Quad Core Processor**

Compact and suitable for any retail environment





**Easy and intuitive workflow for creative products!**

## Integrated photo editing software



Select the source



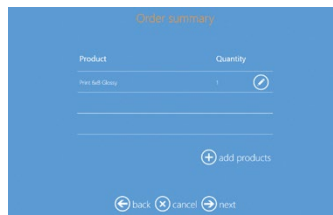
Select the product size



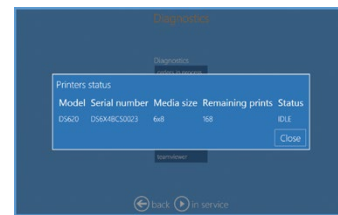
Offering panoramic prints



Select the photos

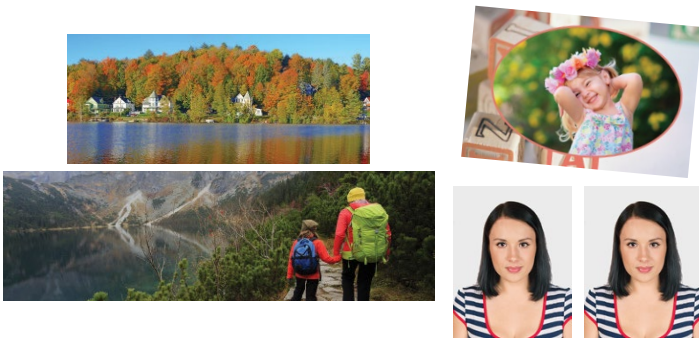


Order summary



Printer status

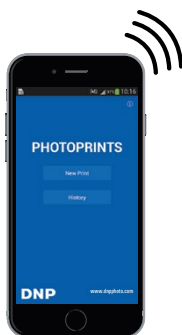
## Multiple value-added products



**Panoramic Prints • Border Prints • ID Photos • And much more!**

## Photo Prints - Mobile Application (Optional)

Transfer and easily print your images via WiFi from your Android and Apple smartphone.



## Wide Variety of Formats and Finishing

| Printer/Media Size | Sheets/Box | Single/Double | Print Size            |
|--------------------|------------|---------------|-----------------------|
| DS620A<br>4x6"     | 800        | Single Sided  | 3.5x5" <sup>1,3</sup> |
|                    |            |               | 4x4" <sup>1</sup>     |
|                    |            |               | 4x6"                  |
| DS620A<br>5x7"     | 460        | Single Sided  | 3.5x5" <sup>1,2</sup> |
|                    |            |               | 5x5" <sup>1</sup>     |
|                    |            |               | 5x7"                  |
| DS620A<br>6x8"     | 400        | Single Sided  | 3.5x5" <sup>1,3</sup> |
|                    |            |               | 4x4" <sup>1</sup>     |
|                    |            |               | 4x6"                  |
|                    |            |               | 5x5" <sup>1</sup>     |
|                    |            |               | 5x7" <sup>1</sup>     |
|                    |            |               | 6x6" <sup>1</sup>     |
| 6x8"               |            |               |                       |
| 6x14"              |            |               |                       |
| 6x20"              |            |               |                       |

Glossy

Luster

Matte

Glossy, Luster, and Matte finishes are available for all sizes.

<sup>1</sup>Finished print has white borders.   <sup>3</sup>Prints 2-up on 6x8".

<sup>2</sup>Prints 2-up on 5x7".

**Note:** Additional print sizes available if connecting to another DS Series printer.

# SL620A™

## Photo Retailers

- Easily setup for end user facing operation.
- Reduced equipment size for superior print quality.
- Perfect for mobile phone users.
- Multiple value-added products.

## Event Photographers

- Compact and portable.
- High capacity output, without losing photo print quality.
- Easy-to-use.
- Photo Prints App (optional)
- Mobile Party Print (optional).

## Specifications

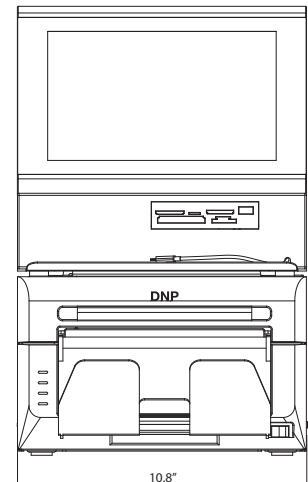
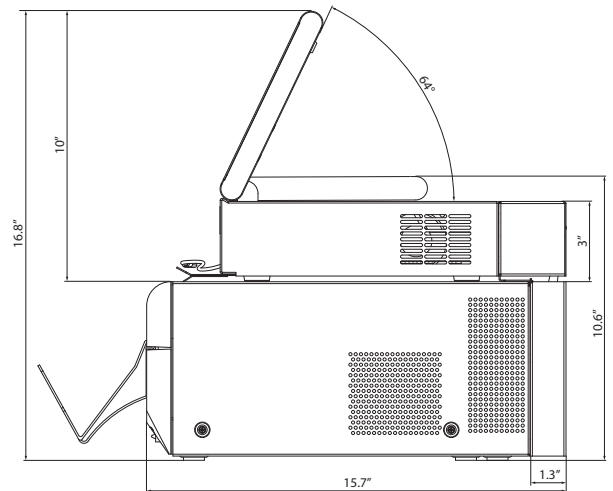
|                             |                               |
|-----------------------------|-------------------------------|
| <b>Kiosk Order Terminal</b> | DS-Tmini                      |
| External dimensions         | 10.8"W x 15.7"D x 10.5-16.8"H |
| Weight                      | 40 lbs. (approx.)             |

|                       |  |
|-----------------------|--|
| <b>Order Terminal</b> |  |
| External dimensions   | 10.8"W x 12.3"D x 3.8-10.1"H   |
| Weight                | 10 lbs (approx.)   |
| Interface             | USB 2.0 (4 ports), LAN (1) port  |
| Power Supply          | 110-240V AC 50/60Hz  |
| Display               | 10.1" Touch Panel Screen IPS, 1200x800px   |
| PC Unit               | OS: Windows 8 embedded, 64 bit<br>CPU: Intel Celeron J1900<br>Memory: 4GB DDR3 SO-DIMM<br>HDD: SSD 120GB |

|                            |   |
|----------------------------|---|
| <b>Mobile Connectivity</b> | Apple, Android, wireless through DNP app (iOS & Android)<br>Wired photo transfer from cell phones and wireless **<br>** External Router required to support wireless transfer |
|----------------------------|---|

|                          |   |
|--------------------------|---|
| <b>Media Reader</b>      | SD, Micro SD, MS, MS Micro, xD, CF, USB Memory                    |
| <b>Wireless Printing</b> | Via supplied router and optional free DNP Photo Prints mobile App |
| <b>Payment (Option)</b>  | Remote numeric pad (release order print)                          |
| <b>Printer Expansion</b> | DS80 / DS80DX / DS620A / DSRX1HS                                  |
| <b>Software Language</b> | English, Spanish, Portuguese, French, and more                    |

|                         |   |
|-------------------------|---|
| <b>Printer</b>          | DS620A  |
| External Dimensions     | 10.8"W x 14.4"D x 6.7"H                                 |
| Weight                  | 26 lbs. (approx.)                                       |
| Interface               | USB 2.0   |
| Power Supply            | 110-240V AC 50/60Hz                                     |
| Print Size              | 4x6", 5x7", 6x8"  |
| Print Speed             | 4x6" - 9.8 sec., 5x7" 14.1 sec., 6x8" 15.7 sec.         |
| Print Quantity per Roll | 4x6" (400 sheets), 5x7" (230 sheets), 6x8" (200 sheets) |
| Print Finishes          | Glossy and Matte  |



Apple is a trademark of Apple Inc. Android is a trademark of Google, Inc.

© 2017 DNP Imagingcomm America Corp. All rights reserved.  
Reproduction in whole or part without written permission is prohibited.  
Specifications subject to change without notice.



www.dnpphoto.com  
www.dnpimagingcomm.com